

LoveGo

Portable oxygen concentrator

Your Second Doctor



Lovego, let's go along with love

DO what you want to do

Table of contents

1. Introduction.....	2
2. Important Safety Rules.....	3
3. Getting Start.....	5
4. Getting Start.....	6
5. How to operate.....	7
6. How to operate	9
7. Maintenance.....	10
8. Troubleshooting.....	11
9. Specification.....	12
10. Warranty.....	13
11. Warranty.....	14

Introduction

Thank you for purchasing Lovego Portable Oxygen Concentrator! This unit produces different oxygen purity range from 40%-93% with the adjustable continuous flow from 1 to 5 liters per minute. Lovego can be used with wall power, car cigarette lighter and lithium battery.

This User manual will acquaint you with Lovego Oxygen Concentrator. There is battery manual about how to use the machine with battery and car inverter in details. If you have any other questions, we are happy to answer them for you. Make sure read and understand all the information contained in this guide before you operate your unit. For manual video, you can visit <http://www.youtube.com/watch?v=AVZ8MUEYkHg> or browse lovego oxygen concentrator on YouTube.

Important Safety Rules

When using electrical products, especially for children, basic safety precautions should always be followed. Read all instructions before using. Important information is highlighted by these terms:

DANGER

Urgent safety information for hazards that will cause serious injury and danger to your life

WARNING

Important safety information for hazards that might cause serious injury

CAUTION

Information for preventing damage to the machine

NOTE

Information to which you should pay special attention

DANGER

To reduce the risk of serious or fatal injury from electrical shock:

1. Do not use while bathing.
2. Do not place the product where can be splashed liquid or fall into bathtub, water or other liquid.
3. In the event of unit falling into water, do not reach for the machine. Turn off the home power immediately then send it to dealer or our authorized service center for examination and repair.

⚠ WARNING

1. Check the electric rating in the unit label and wall outlet before connecting power cord.
2. Keep all electrical cords away from heated surfaces.
3. Do not operate this unit if it:
 - has been dropped or knocked heavily.
 - has been splashed liquid.
 - has a damaged cord or plug.
 - is not working properly

⚠ WARNING

This device produces high levels of oxygen, which promotes rapid burning. Do not allow smoking or open flames within 5 feet of this device and any oxygen delivery accessory. Do not use oil, grease or petroleum-based products on or near the unit. Disconnect the power cord from the electrical outlet before you clean or repair the unit.

⚠ WARNING

If this unit is turned on but not in use, do not leave the Headset under covering or chair cushions. The oxygen will make the material flammable. Set the on/off power switch to the off position when the Oxygen Concentrator is not in use.

⚠ WARNING

Do not remove cover of the machine! Only your dealer or our authorized technician should remove the cover.

⚠ WARNING

Do not use extension cords with this unit. Do not overload wall outlet.

⚠ CAUTION

Do not block the ventilation located on the back of unit.

Getting Start

Open the unit packing, check the content and make sure the following components are enclosed: Lithium Ion battery, Battery charger, Car Inverter, potable bag (optional), AC power supply and DC cord, Headstyle oxygen pipe, Earphone oxygen pipe, Bacteria Filter, Humidifier , Humidifier connecting tube, mobile cart(optional).



Figure 1

If there are missing items, please contact the dealer where you purchased your Lovego Oxygen Concentrator.

Lovego Oxygen Concentrator

1. O₂ On/Off Button
2. Time set+
3. Time set-
4. Anion On/Off
5. LED Monitor
6. Flow Meter Knob
7. Flow Meter
8. Humidifier Holder
9. Oxygen Outlet
10. Power Cord
11. Air Intake Cover
12. Air Intake filter

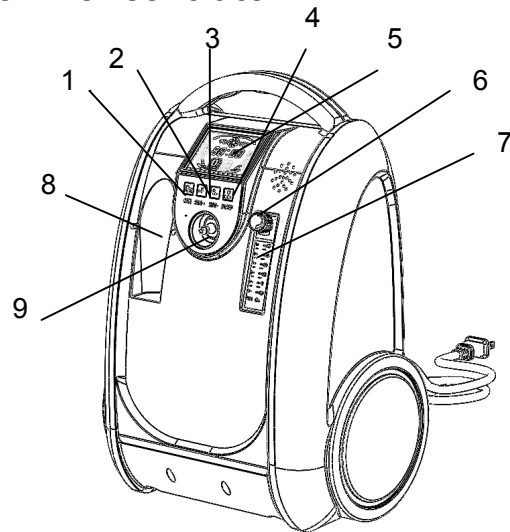


Figure 2

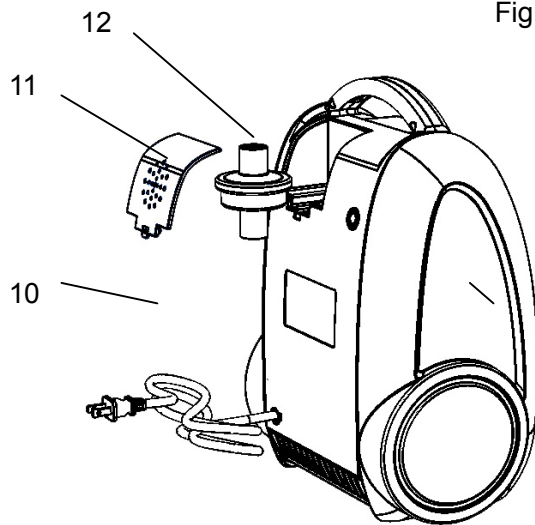


Figure 3

How to Operate Your Lovego POC

1. Familiarize yourself with this unit.
2. Place unit on a stable flat surface which is clean and free of dust.
3. Plug power cord into electrical outlet.

⚠ NOTE

Before attempting to start a cold unit, let the unit reach the room temperature for 30 minutes.

4. Press the O₂ On/Off button start the unit:

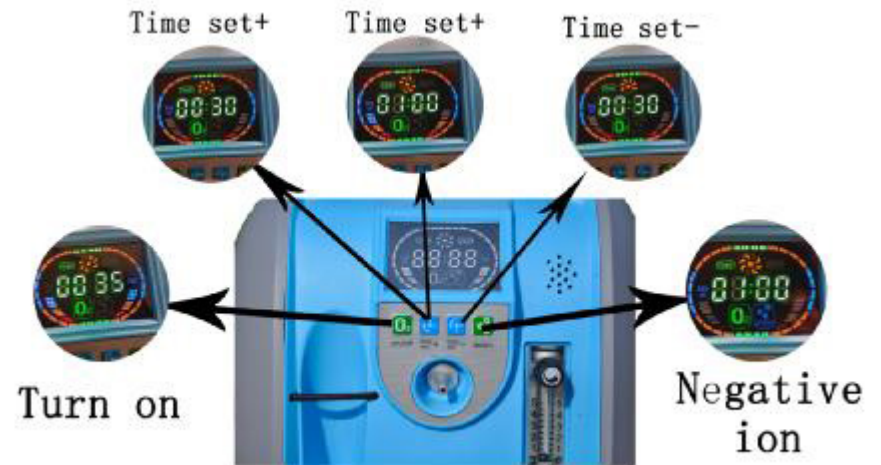


Figure 4

5. Set the running time by pressing the Time set +/- Button as following.
 - A. Press the Button Time set + that can increase one hour per time. .
 - B. Press the Button Time set - first time that can decrease 30minutes per time.
 - C. Without any press on time +/- after you turn on the machine, the unit will be on 24/7 continuous mode.



Figure 5

6. Connect the oxygen Tube to the Oxygen Outlet of Oxygen Concentrator Unit.
7. Put the humidifier with pure water if the air is dry for breath.
8. Adjust the outflow by rotate the oxygen meter from 0-5LPM.
9. If you want to run oxygen anion, press the anion button, it can work separately to fresh the room.
10. If you will not use the unit in a period of time, remove the power cord from electrical outlet.

How to operate with battery and in the car

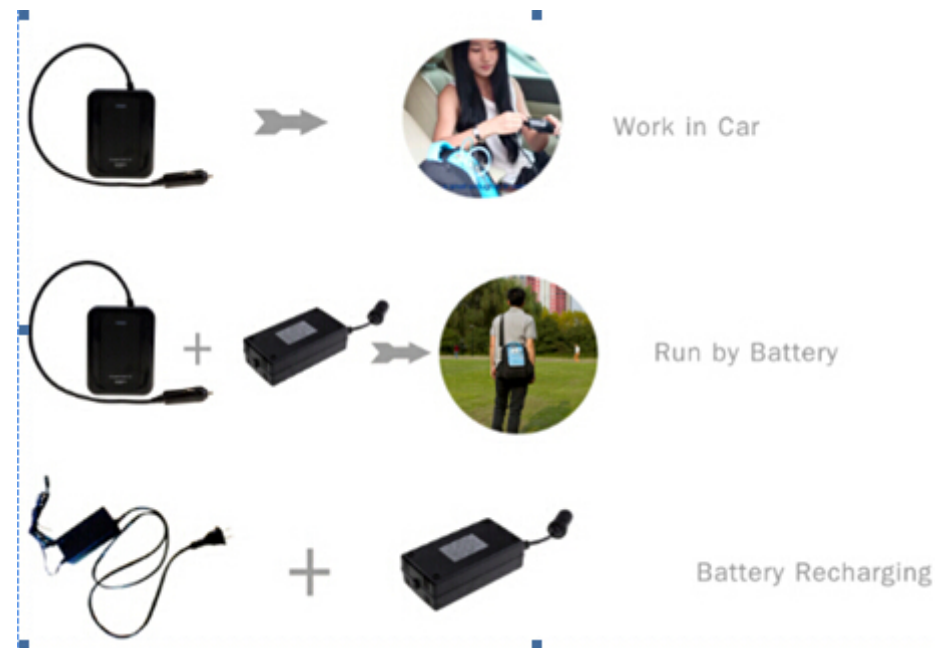


Figure 6

1. Connect the adapter (car inverter) with car cigarette lighter, then connected with electric cord.
2. Connect the battery with the Adapter (car inverter), then connected with electric cord.
3. Turn on the machine, it will work. The battery can last 61minutes after the full charge.
4. Don't use the battery when charging.
5. Learn more battery specification in the battery manual.

Maintenance

⚠ DANGER

Electrical shock hazard

Do not attempt to open or remove cabinet. If service is required, return unit to a qualified equipment provider or an authorized service center. Opening or tampering with the unit will void warranty.

⚠ DANGER

Electrical shock hazard

Turn off the Unit and remove the Power Cord before maintenance.

Clean the Cabinet

1. Disconnect the Oxygen Concentrator Unit from all external power sources.
2. Wipe the cabinet with a clean cloth with any commercial (bacterial-germicidal) disinfectant.

Air Intake Filter Change

1. Disconnect the Oxygen Concentrator Unit from all external power sources.
2. Open the Air Intake Cover.
3. Take out the Air Intake Filter.
4. Replace a new Air Intake Filter.
5. The Air Intake Filter should be changed every 3000 hours working.

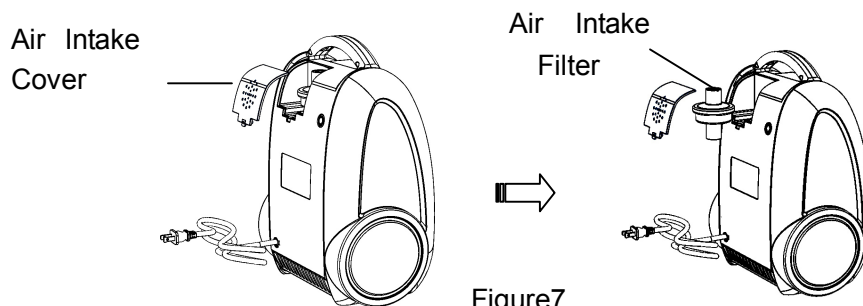


Figure7

Troubleshooting

Your Oxygen Concentrator contains no user-serviceable parts. If you believe your unit is not working properly, **BEFORE YOU RETURN IT TO THE DEALER WHERE YOU PURCHASED IT**, please take a few minutes to check for these possible causes:

PROBLEM	ACTION
Unit does not turn on in home power.	<ol style="list-style-type: none"> 1. Check power sources and connections. 2. Ensure the wall outlet has electricity. 3. Check power cord is not damage.
Motor runs, no oxygen	<ol style="list-style-type: none"> 1. Verify all the connections of tubing 2. Adjust the flow meter
The flow meter can only adjusted from 1-4LPM	Confirm the water in humidifier bottle is pure water and cool Boiling water, mineral water will make the connect pipe stocked by CaO.
The machine stop itself after working several hours.	<ol style="list-style-type: none"> 1. Check the timer setting. 2. Take the machine out from the bag or move the Unit to a well-ventilated place
Shake seriously	Keep the machine stand in a flat place.
The machine works with strange sounds" wongwong" after replacing the filter	Adjustable the position of air filter to make the air filter steady matched with the machine.

Specification

Weight: 5.4kg

Dimensions: (L) 260*(W) 195* (H)
387mm

Electrical requirementsAC115V/60Hz,
220V/50Hz, DC12V-18V

Power Wattage: 90 watts under normal
load

Oxygen purity.....40% ± 3%@5L, 60% ±
3%@3L, 93%±3%@1L

Ambient operation

Temperature Range: 0° to 95°F (10° to 35°C)

Humidity Range:30% to 75%

Transport/Storage

Ambient Temperature:-13° to 158°F (-25° to 70°C)

Humidity: 0% to 90%

Warranty

Two year limited warranty

The compressor portion of the Lovego Oxygen Concentrator is warranted to be free from defective workmanship and materials for a period of one year from date of purchase.

Any defective part(s) will be repaired or replaced at XXXXX option if the unit has not been tampered with or used improperly during that period. Make certain that any malfunction is not due to inadequate cleaning or failure to follow the instructions. If repair is necessary, contact your lovego Equipment Provider for instructions.

NOTE

This warranty does not cover providing a loaner unit, compensating for costs incurred in rental while said unit is under repair, or costs for labor incurred in repairing or replacing defective part(s).

THESE ARE NO EXPRESS WARRANTY, IMPLIED WARRANTIES, INCLUDING THOSE OF MERCHANTABILITY AND FITNESS FOR A PARTICULAR PURPOSE WHICH ARE LIMITED TO THE DURATION OF THE EXPRESS LIMITED WARRANTY AND TO THE EXTENT PERMITTED BY LAW, ANY AND ALL IMPLIED WARRANTIES ARE EXCLUDED. THIS IS THE EXCLUSIVE REMEDY AND LIABILITY FOR CONSEQUENTIAL AND INCIDENTAL DAMAGES UNDER ANY AND ALL WARRANTIES WHICH ARE EXCLUDED TO THE EXTENT EXCLUSION IS PERMITTED BY LAW. SOME STATES DO NOT ALLOW LIMITATIONS ON HOW LONG AN IMPLIED WARRANTY LASTS, OR THE LIMITATION OR EXCLUSION OF CONSEQUENTIAL OR INCIDENTAL DAMAGES, SO THE ABOVE LIMITATION OR EXCLUSION MAY NOT APPLY TO YOU.

This warranty gives you specific legal rights, and you may also have other rights, which vary from state to state.

*CHILDREN AGE FIVE YEARS AND BELOW SHOULD SEEK DOCTOR'S ADVICE BEFORE USING THE OXYGEN CONCENTRATOR.

Manufacturer's Note

Thank you for choosing Lovego Portable Oxygen Concentrator. We want you to be a satisfied customer. If you have any questions or comments, please send them to our address on the back cover.

For Service Call Your Authorized Lovego P.O.C Equipment Provider:

Phone: _____

Purchase Date: _____

Serial#: _____

Company address: _____